

Flexible Vertical Conductive Connectors

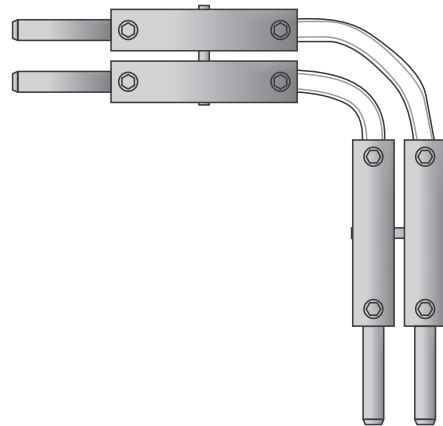
1.0



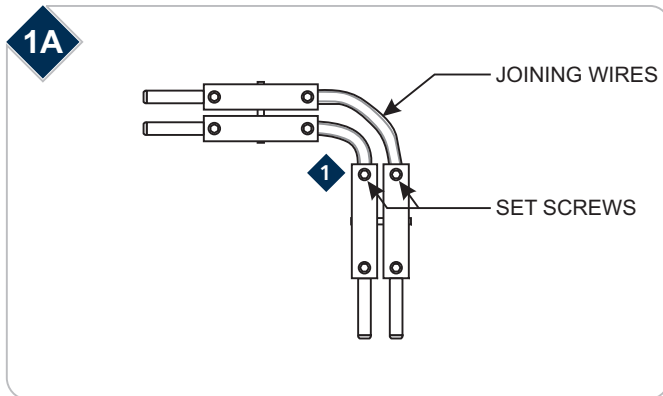
ENCOMPASS LIGHTING GROUP
MONORAIL

GENERAL PRODUCT INFORMATION:

This product is suitable for dry locations only.

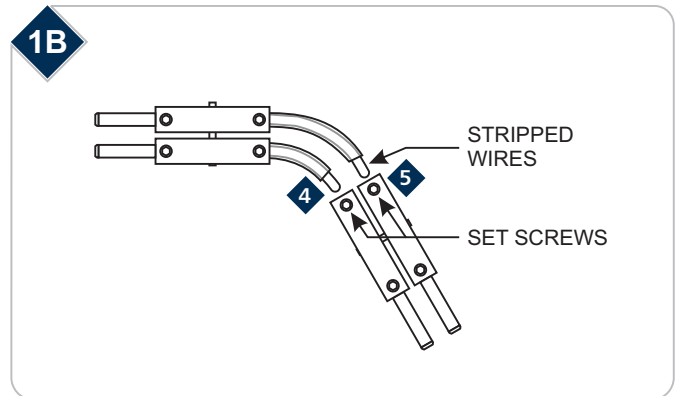


Adjust the Angle



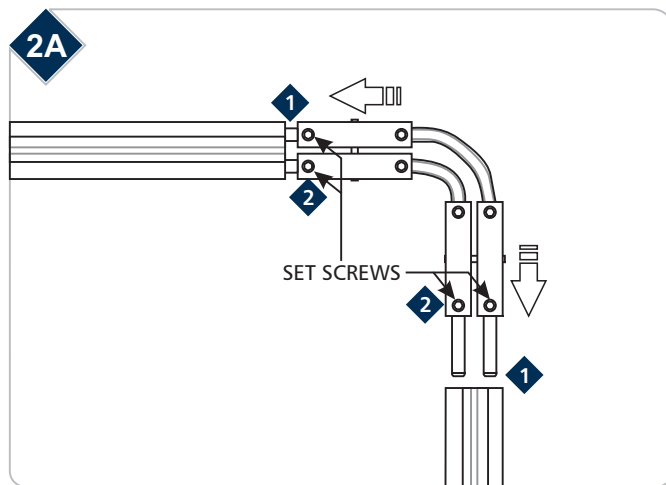
The joining wires on the flexible connectors are pre-cut for a 90-degree bend. For any angle other than 90 degrees, follow these instructions to adjust the wires. Otherwise, skip ahead to section 2.

- 1 Loosen the inner set screws on one connector with an Allen wrench.
- 2 Pull the wires out of the connector.



- 3 Trim the wires to the proper length and strip off the last 3/8" of the insulation.
- 4 Insert the stripped wires into the connector.
- 5 Tighten the set screws with an Allen wrench to secure the wires.

Connect the Monorail Sections



- 1 Push the connectors completely into the MonoRail.
- 2 Tighten all four outer set screws with an Allen wrench. To avoid heat build up and corrosion, make sure all set screw connections are tight.

SAVE THESE INSTRUCTIONS!



ENCOMPASS LIGHTING GROUP

7400 Linder Ave, Skokie, IL 60077
847.410.4400

www.encompasslighting.com

© 2008 Encompass Lighting Group. All rights reserved. The "Encompass Lighting Group" graphic is a registered trademark of Encompass Lighting Group. Encompass Lighting Group reserves the right to change specifications for product improvements without notification.

A Generation Brands Company