

# Modular Medium and Large (T5 Fluorescent)

PW5\_24L\_HEW, PW5\_39L\_HEW 1.0



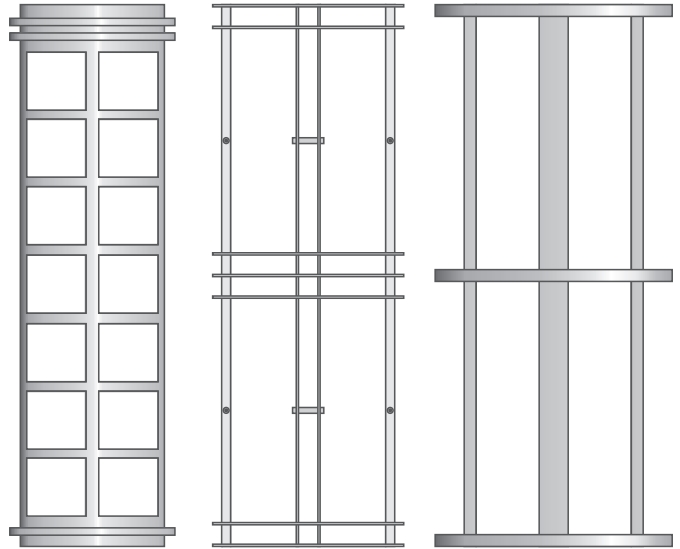
Outdoor

## GENERAL PRODUCT INFORMATION:

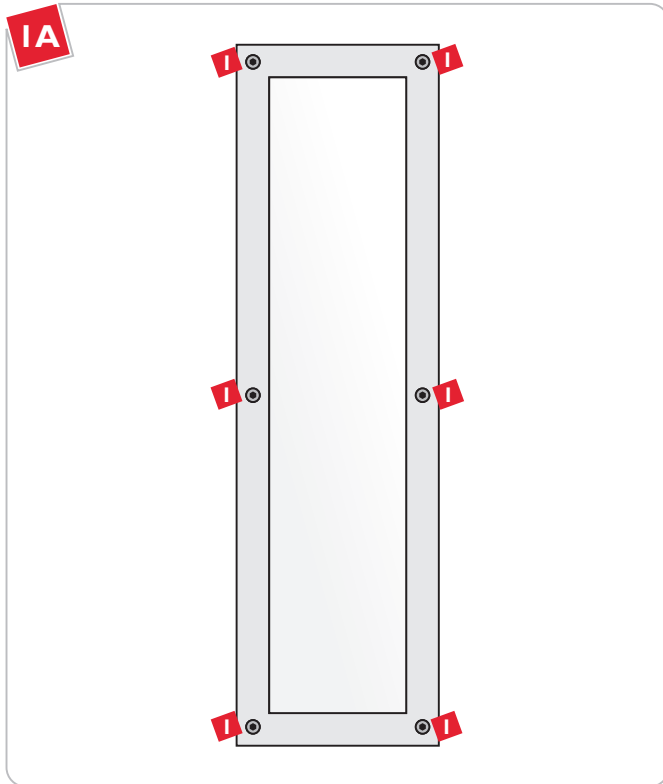
This product can mount to either a 4" square electrical box with round plaster ring or an octagon electrical box.

This product is suitable for wet locations.

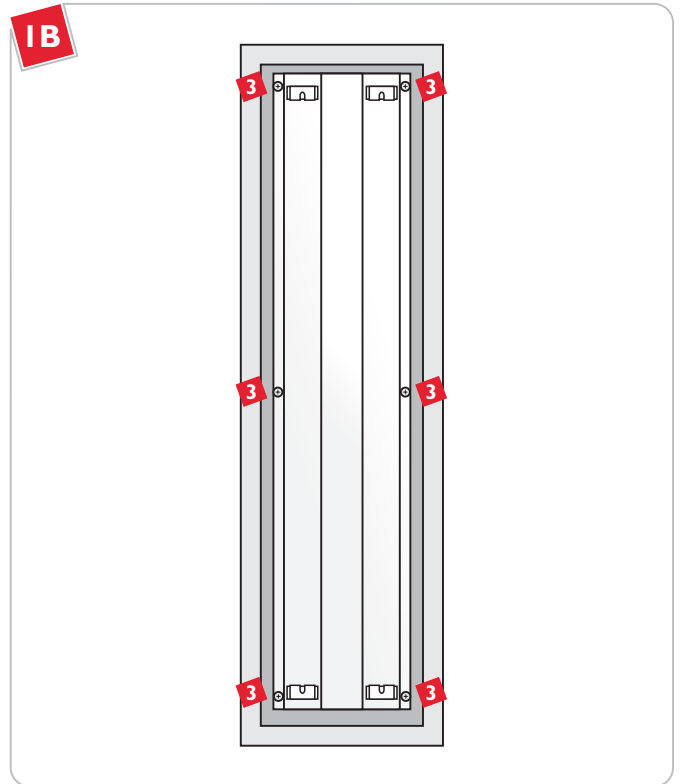
**CAUTION - RISK OF FIRE**  
 This product requires installation by a qualified electrician. Before installing be sure to read all instructions and **DISCONNECT POWER TO THE ELECTRICAL BOX.**



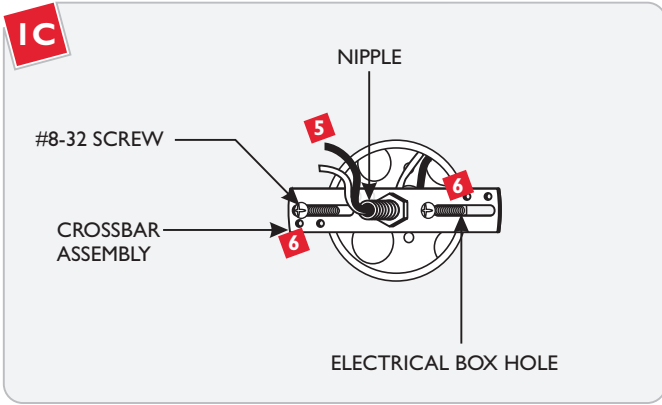
## Install the Fixture Base



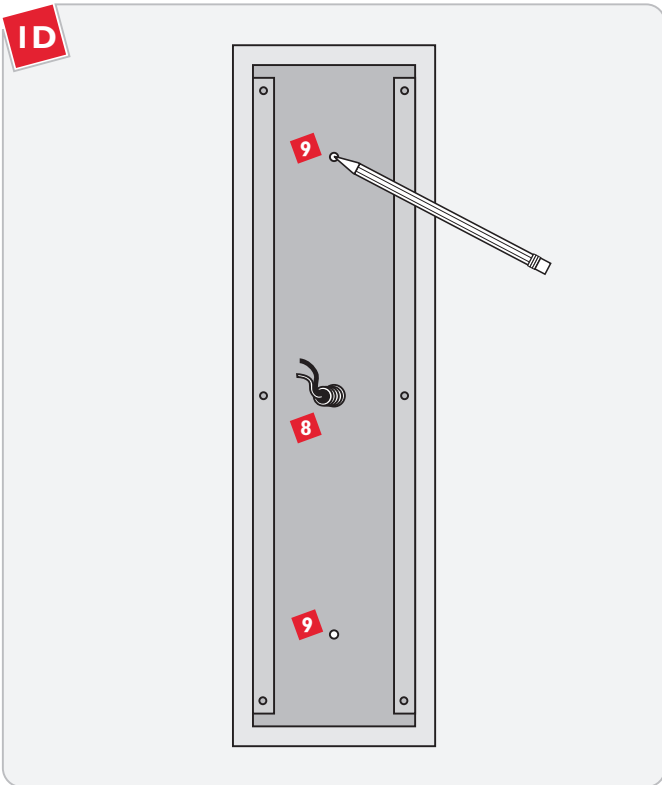
- 1** Remove all the cap screws around the perimeter of the cover.
- 2** Pull the cover off of the housing.



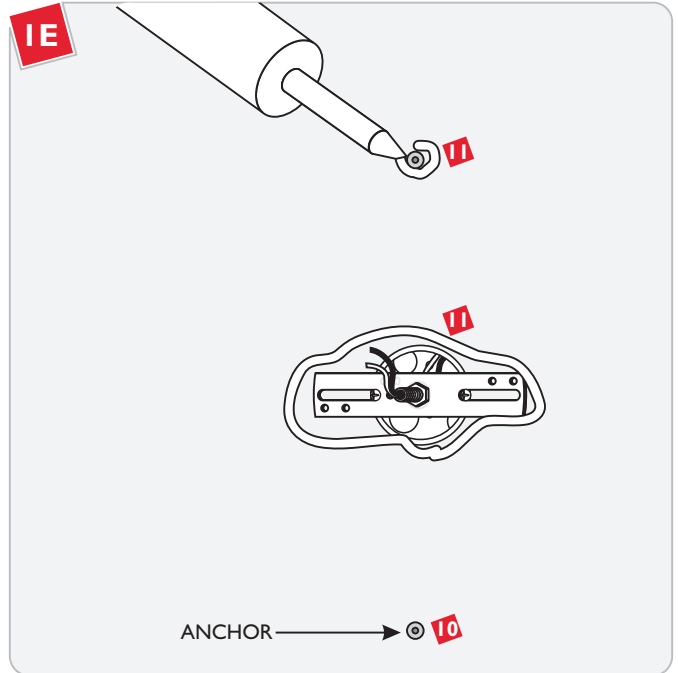
- 3** Remove the six Phillips-head screws on the reflector.
- 4** Lift the reflector out of the housing.



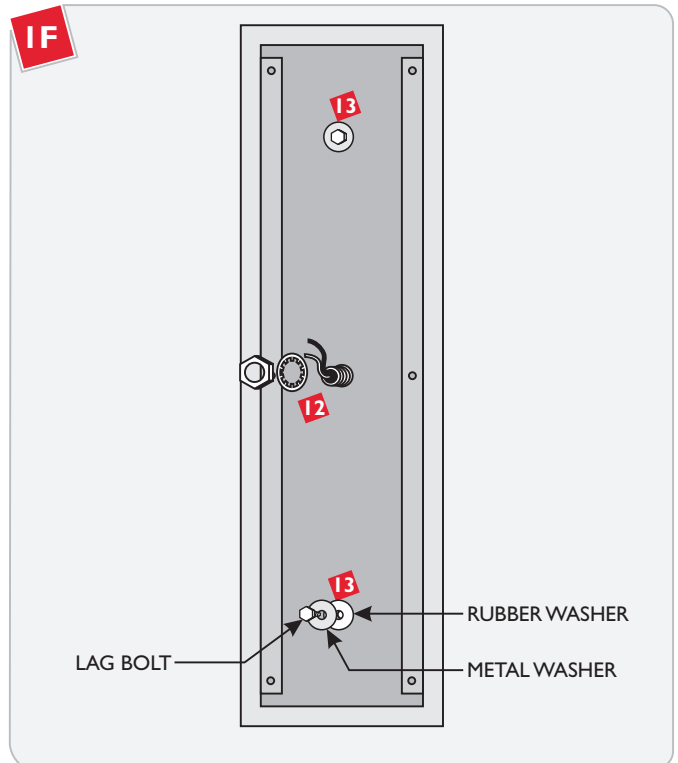
- 5 Feed the power line wires through the crossbar nipple.
- 6 Mount the crossbar assembly to the electrical box holes with the two #8-32 screws provided.
- 7 Connect the crossbar to a suitable ground according to local electrical codes.



- 8 Place the housing on the crossbar nipple
- 9 Mark the location of the end holes in the housing onto the wall and remove the housing.

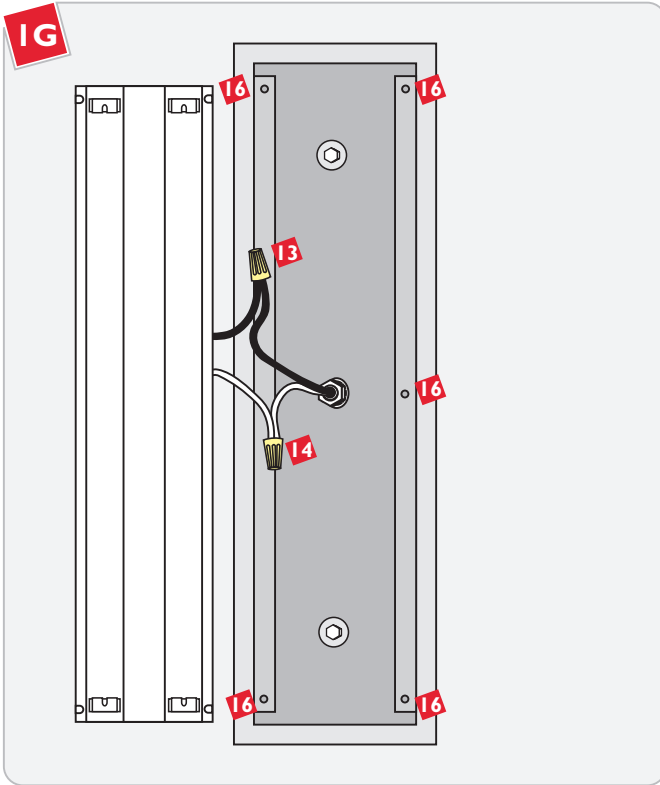


- 10 Install the anchors for the lag bolts at the points marked on the wall.
- 11 Apply caulk around the anchor points and the electrical box.

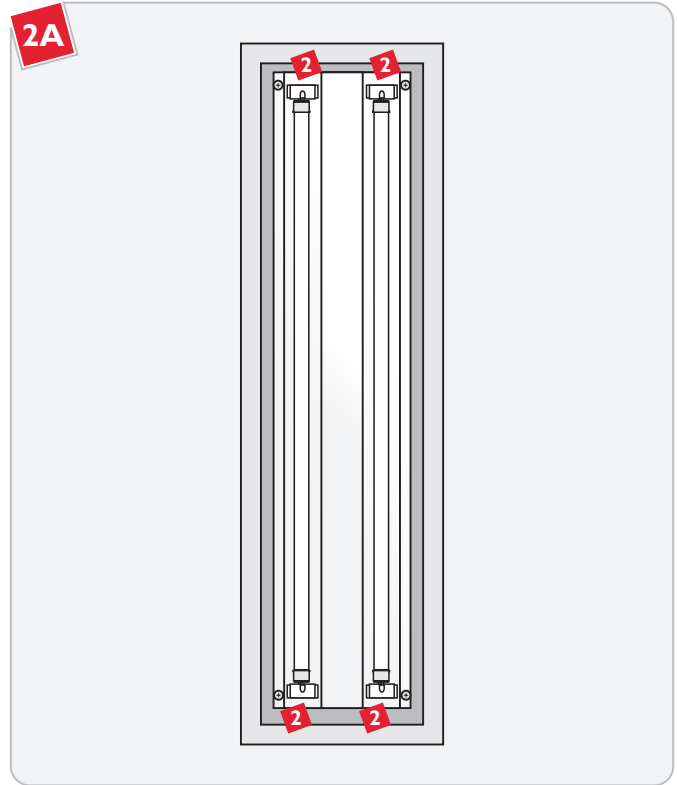


- 12 Mount the housing to the crossbar nipple with the nut and lock washer provided.
- 13 Anchor the housing to the wall with lag bolts through the metal and rubber washers provided.  
**Do not overtighten the lag bolts.**

## Install the Lamps



- 14** Connect the hot power line wire to the black fixture wire with a wire nut.
- 15** Connect the neutral power line wire to the white fixture wire with a wire nut.
- 16** Reinstall the reflector into the housing and tighten all six screws to hold it in place.



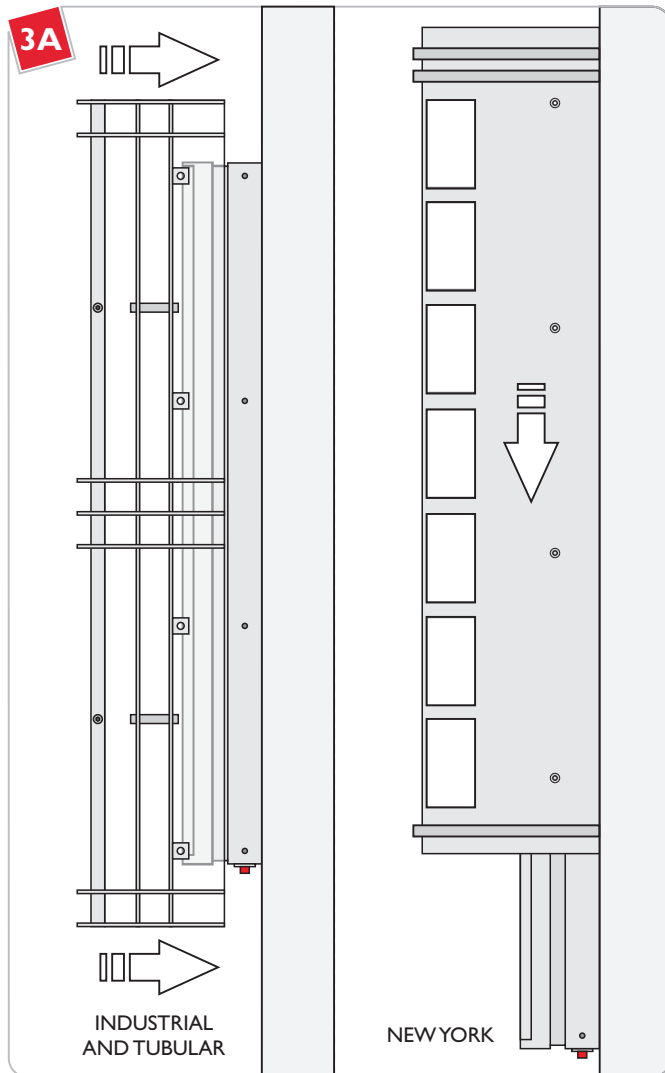
**Medium** versions use **MAX 24 Watt** type T5 high output linear fluorescent lamp.

**Large** versions use **MAX 39 Watt** type T5 high output linear fluorescent lamp.

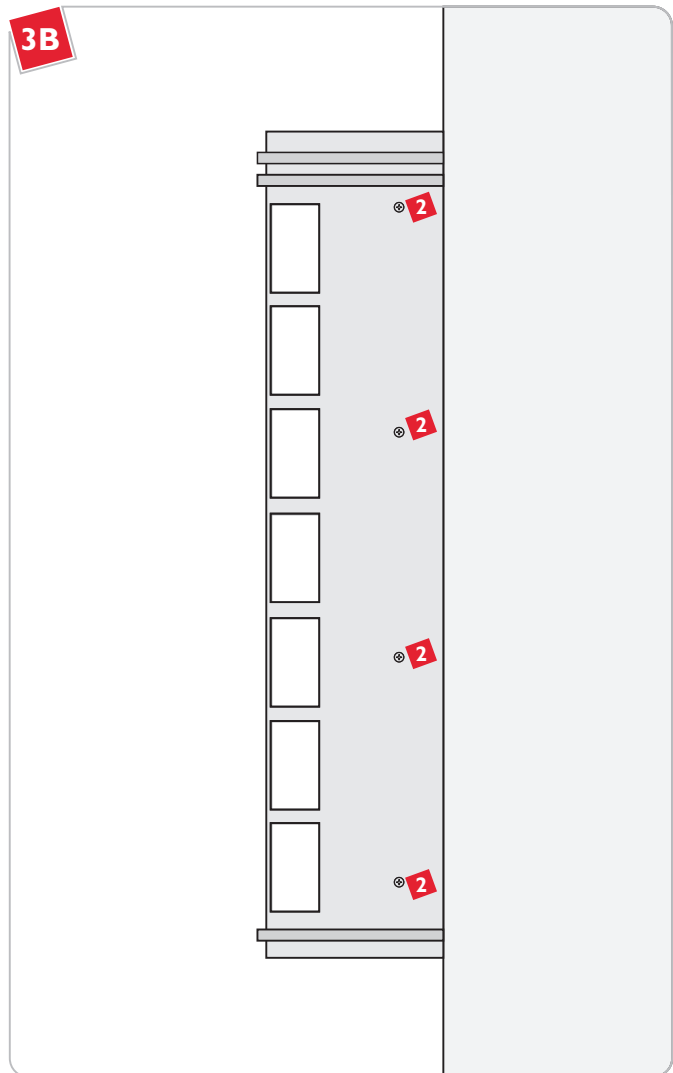


- 1** Line up the lamp pins on both ends with the opening on the sockets.
- 2** Insert the pins all the way into the sockets and turn the lamp to lock it in place.
- 3** Reinstall the front cover on to the housing and fully tighten all six cap screws. Tighten all the cap screws evenly to prevent the cover from flexing, which could cause the glass to break.

## Install the Decorative Cover



- 1** Slide the decorative cover onto the fixture base. For **Industrial** and **Tubular** decorative covers (left), place the acrylic shade inside the frame and slide the cover on from the front. For **New York** decorative covers (right), line up the tracks on the fixture with the guides inside the cover, and slide the cover on from the top.



- 2** For **Industrial** and **Tubular** decorative covers, line up the holes in the decorative cover and acrylic shade with the holes in the fixture base. Attach screws through these holes to secure the cover. For **New York** decorative covers (shown), line up the holes in the decorative cover with the holes in the fixture base. Attach screws through these holes to secure the cover.

**SAVE THESE INSTRUCTIONS!**

**LBL Lighting**

7400 Linder Ave, Skokie, IL 60077

800.323.3226 - 847.626.6300

[www.lblighting.com](http://www.lblighting.com)

© 2008 LBL Lighting. All rights reserved. The "LBL Lighting" graphic is a registered trademark of LBL Lighting. LBL Lighting reserves the right to change specifications for product improvements without notification.

A Generation Brands Company